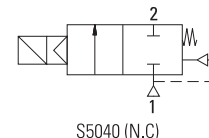


GENERAL FEATURES

- **New design**
- **TORK series S5040 (N.C)** diaphragm compressor solenoid valves are 2/2 way normally closed and pilot operated
- **Suitable for non-aggressive liquids (water, light oil (2E) etc...), gaseous fluids (air, inert gases etc...)**
- Working Temperature: -10°C / +160°C
- Not suitable for use with dangerous fluids listed in Group 1
- **Minimum operating differential pressure 0,35 bar**
- High reliability, quality and performance; long life, corrosion resistance
- Wide pressure ratings, range of flow rate and orifice options
- **On request; manual override**
- Ideal for the automatic control of media in a wide range of applications.
- TORK solenoid valves satisfy relevant 97/23/EC, Pressure Equipment Directive (PED) and 2006/95/EEC Low Voltage Directive (LVD).
- Some applications; compressor tank
- Coils interchangeable
- Flow factor Kv of each valve is indicated, so that the flow Q can be calculated as a function of pressure
- Solenoid valves must be used with filtered fluids.
- Solenoid valve can be mounted in any position without affecting operation; vertical with coil upwards preferred.
- Standard pipe connection is G (BSP) (ISO 228-1) and on request; other pipe connections are available (NPT (ANSI 1.20.3))

Normally Closed

NEW



ELECTRICAL CHARACTERISTICS

| | |
|-----------------------------|---|
| Continuous Duty | : ED %100 |
| Coil Insulation Class | : H (180°C) |
| Coil Impregnation | : Polyester Fiber Glass |
| Coil Encapsulation Material | : Fiber Glass Reinforced |
| Ambient Temperature | : from -10°C; +60°C |
| Protection Degree | : IP 65 (EN 60529) with coil duly fitted with the plug connector |
| Electric Plug Connection | : DIN 46340 3-poles connectors (DIN 43650) |
| Connector Specification | : ISO 4400 / EN 175301-803, Form A, Spade plug (Cable Ø6-8 mm) |
| Electrical Safety | : IEC 335 |
| Standard Voltages | : For AC 12V, 24V, 48V, 110V, 230V For DC 12V, 24V, 48V, 110 V |

Other voltages on request;
Voltage Tolerances : For AC -15%; +10%, For DC -5%; +10%
Frequency : 50 Hz, other frequencies on request; (60 Hz)
On request; connector with LED
Specify coil voltage with order

MATERIALS IN CONTACT WITH FLUID

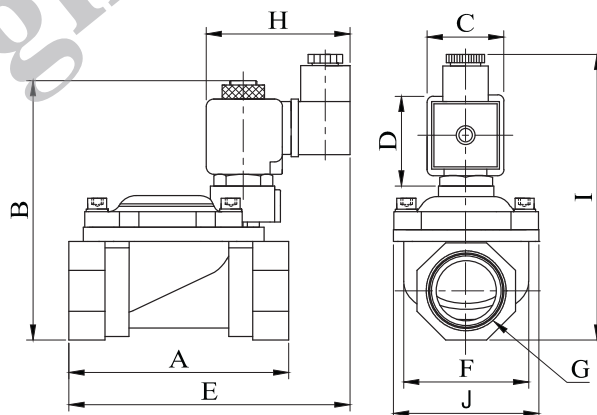
| | |
|----------------|-----------------------------|
| Body | : Brass |
| Internal Parts | : Stainless Steel and brass |
| Sealing | : FPM (VITON) |
| Shading Ring | : Copper |
| Seats | : Brass |
| Core Tube | : Stainless Steel |
| Springs | : Stainless Steel |
| On request; | nickel plated body |

TECHNICAL FEATURES

Max Viscosity : 5°E (~37cSt or mm²/s)
Response Time : Opening Time : 400 ms to ~ 1600 ms,
Closing Time : 1000 ms to ~ 2000 ms
Maximum Allowable Pressure : 25 bar



Application



Dimensions (mm)

| | G | A | B | C | D | E | F | J | H | I |
|------|------|-------|----|----|-------|------|------|----|-------|---|
| 3/8" | 69 | 97 | 32 | 45 | 106.5 | 38 | 52 | 76 | 112 | |
| 1/2" | 69 | 97 | 32 | 45 | 109 | 40 | 52 | 76 | 112 | |
| 3/4" | 81.3 | 107.9 | 32 | 45 | 115.8 | 42.1 | 51.9 | 76 | 121 | |
| 1" | 87.9 | 115.3 | 32 | 45 | 122.4 | 51.5 | 60.9 | 76 | 127.5 | |

| Valve Type / Order no | Connection Size | Orifice size | Pressure | | KV | Fluid Temperature | | Seal | Weight |
|--------------------------|--------------------|-----------------|------------|------------|---------------|----------------------|-----|-------|-------------|
| | | | min | max | | min | max | | |
| S5040 | G | mm | bar | bar | lt/min | °C | | | (kg) |
| S 5 0 4 0 . 0 2 | 3/8" | 12.5 | 0.35 | 16 | 45 | -10 | 160 | VITON | 0.68 |
| S 5 0 4 0 . 0 3 | 1/2" | 12.5 | 0.35 | 16 | 65 | -10 | 160 | VITON | 0.64 |
| S 5 0 4 0 . 0 4 | 3/4" | 15 | 0.35 | 16 | 70 | -10 | 160 | VITON | 0.79 |
| S 5 0 4 0 . 0 5 | 1" | 15 | 0.35 | 16 | 85 | -10 | 160 | VITON | 0.96 |

Useful Informations

1 bar:14,5 PSI:10 mH₂O:10 N/cm²:1 kg/cm²: 100000 Pa, 1 PSI:69 mbar,1 m³/h:4.405 GPM:16,7 L/d 1 Gallon / minute:0,227 m³/h, 0°C:89,6 F
Sealings:FPM (VITON);Fluoro-Carbon Elastomer